

ESD Workstation





Structure Features

- Product structure and accessories are all modular.
- Features modular accessories that cover most bench functions.
- Functional accessories all have quick disassembly and installation structures.
- It can freely configure a workbench with various functions according to the needs of the user.
- Various custom sizes available

ESD Performance			
ESD Standard	Test	Relative Humidity	Electrical Results
IEC 61340-5-1:2016 $1 \times 10^9 \Omega$	Point to Point Resistance	60%-40%	$1 \times 10^5 - 1 \times 10^9 \Omega$
		40%-20%	$1 \times 10^5 - 1 \times 10^9 \Omega$
		20%-10%	$1 \times 10^9 - 1 \times 10^9 \Omega$
	Point to Earth Resistance	60%-40%	$1 \times 10^5 - 1 \times 10^9 \Omega$
		40%-20%	$1 \times 10^9 - 1 \times 10^9 \Omega$
		20%-10%	$1 \times 10^9 - 1 \times 10^9 \Omega$
	Volume Resistance	60%-40%	$1 \times 10^9 - 1 \times 10^9 \Omega$
		40%-20%	$1 \times 10^9 - 1 \times 10^9 \Omega$

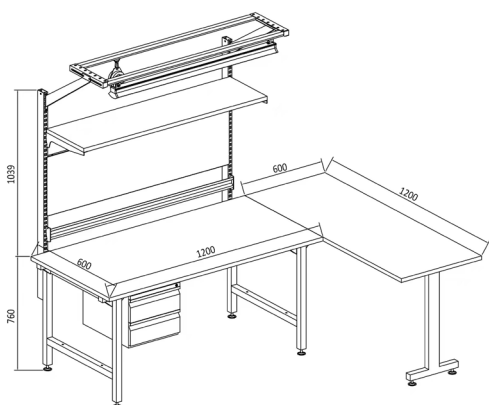
Application Scenarios



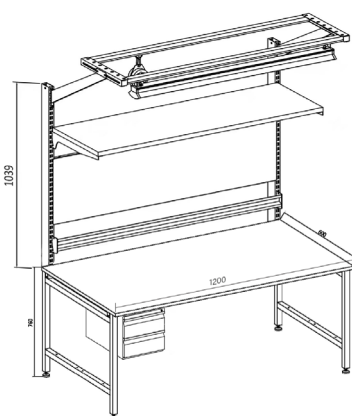
Order Information						
Article No.	Model Name	Length	Depth	Height	Uniform Static Load	Uniform Dynamic Load
WESD01001	Fixed-1260	1200mm	600mm	760mm	500kg	/
WESD01002	Fixed-1575	1530mm	750mm			
WESD01003	Fixed-1890	1830mm	900mm			
WESD01004	Lifting-1260	1200mm	600mm	670-1070mm	150kg	100kg
WESD01005	Lifting-1575	1530mm	750mm			
WESD01006	Lifting-1890	1830mm	900mm			
WESD01007	L-shaped-12060	1200mm	600mm	760mm	500kg	/
WESD01008	L-shaped-15375	1530mm	750mm			
WESD01009	L-shaped-18390	1830mm	900mm			

Options						
Article No.	Model Name	Length	Depth	Height	Uniform Static Load	Uniform Dynamic Load
WESD01010	ESD Chair1	Seat 390×410mm	Back 280×380mm	420-560mm	120kg	/
WESD01011	ESD Chair2	Seat 400×470mm	Back 305×410mm	600-780mm	120kg	/

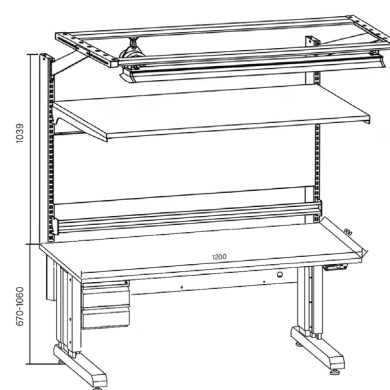
1 L-shaped



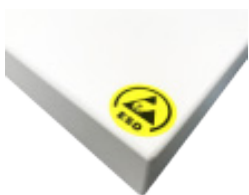
2 Fixed



3 Lifting



Accessories



ESD(HPL) Laminated Top



Back Panel



Antistatic Steel Shelfntis



Drawer



Slant Light Bracket



Spring Balancer



LED Light



Power Rail

Options



ESD Chair1



ESD Chair2

Item	Size	Remark
ESD(HPL) Laminated Top	Thichness:25 mm	RAL7035
Back Panel	High:390mm	ESD Paint RAL 7035
Antistatic Steel Shelfntis	Depth:649mm	ESD Paint RAL 7035
Suspension Drawer - double	WxDxH: 370x486x346mm	35kg Loading
Slant Light Bracket	DxH: 604x382mm	30kg Loading
Spring Balancer	/	3kg Loading
LED Light	40W; C110-270V; 50/60Hz; White 5000K	
Power Rail	Can integrate a variety of standard sockets, network port sockets, pneumatic interfaces, voltage and amp meters, DC sockets, grounded sockets etc.	