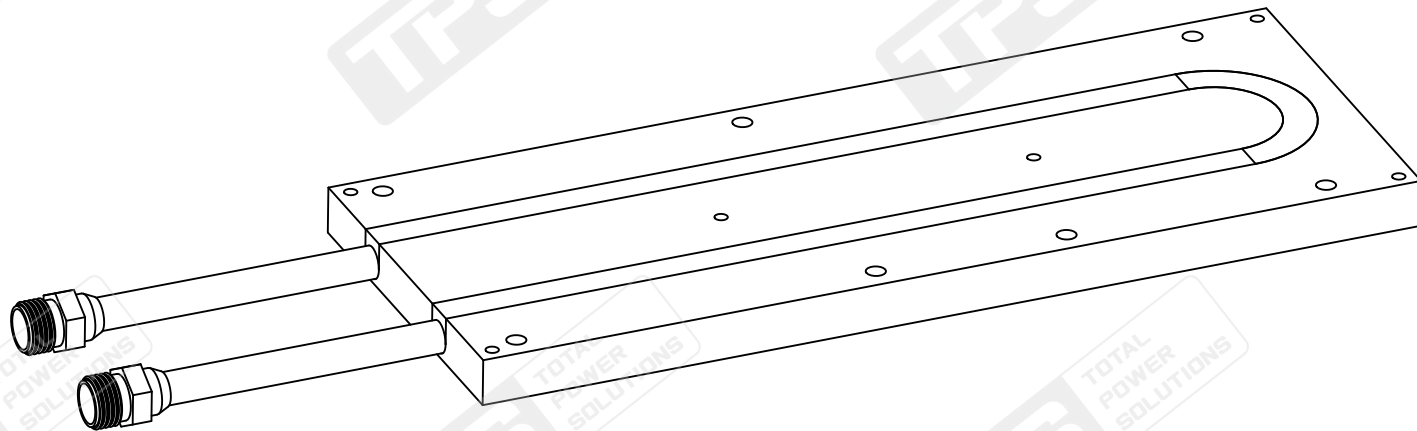


Material: AL6063-T5 + Stainless steel tube
Profile Size: 116*15 mm
Manufacturer code: CNC-1
Surface: CNC milling
Notes: Length customized according to drawings



(Example)

Stainless steel tube $D=10/d=8$

