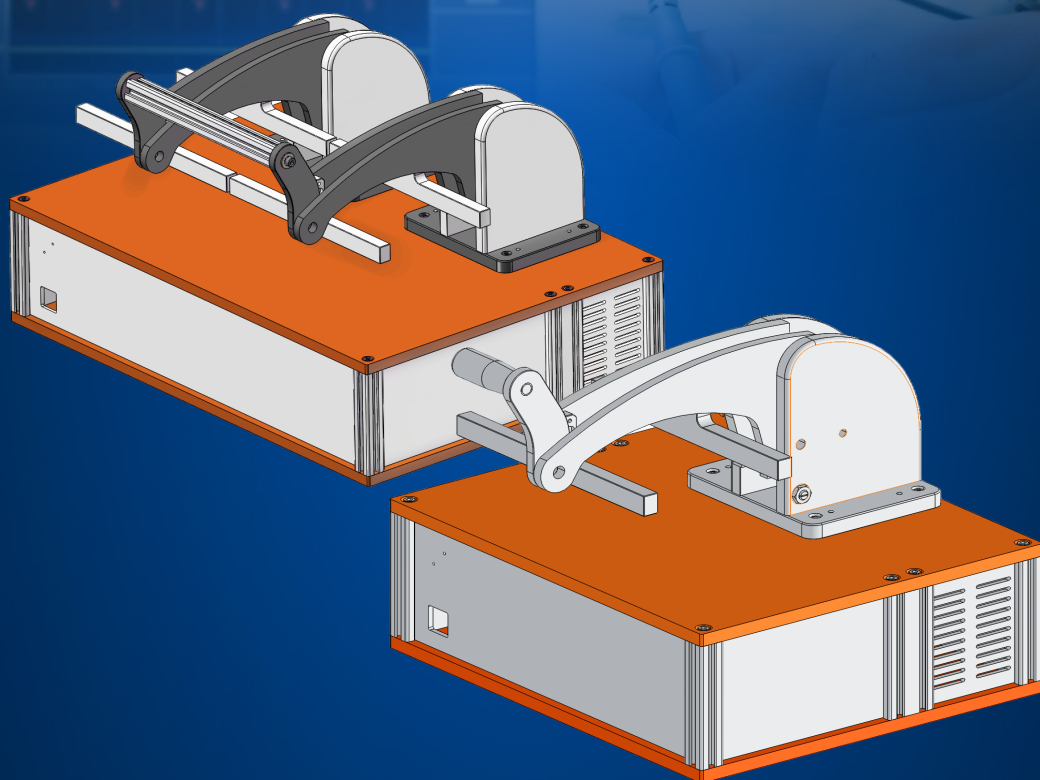


# Needle Test Adapter





## Special Features

- Customizable
- Bakelite materials
- Aluminum profiles
- Precision press-fit

## Key Applications

- Electrical Testing
- Functional Verification
- Architecture Support
- Troubleshooting

## Product Description

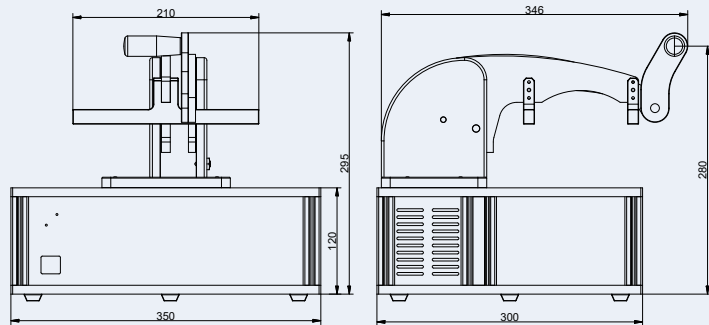
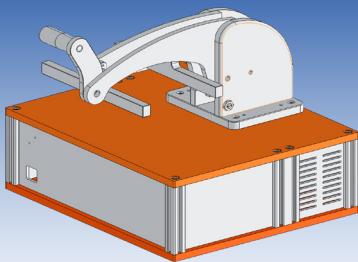
Needle Test Adapter is an important tool to provide mechanical support to the PCB to ensure that the PCB can be stably inserted and fixed on the test equipment, and then the PCB can be functionally tested, verified and troubleshooted to ensure that the quality and performance of the product meets the requirements.

## Specifications and Dimensions

Offer two standard sizes to meet different requirements.

### Needle Test Adapter-single rod

Article No. BJ9900074



### Needle Test Adapter-double rod

Article No. BJ9900075

