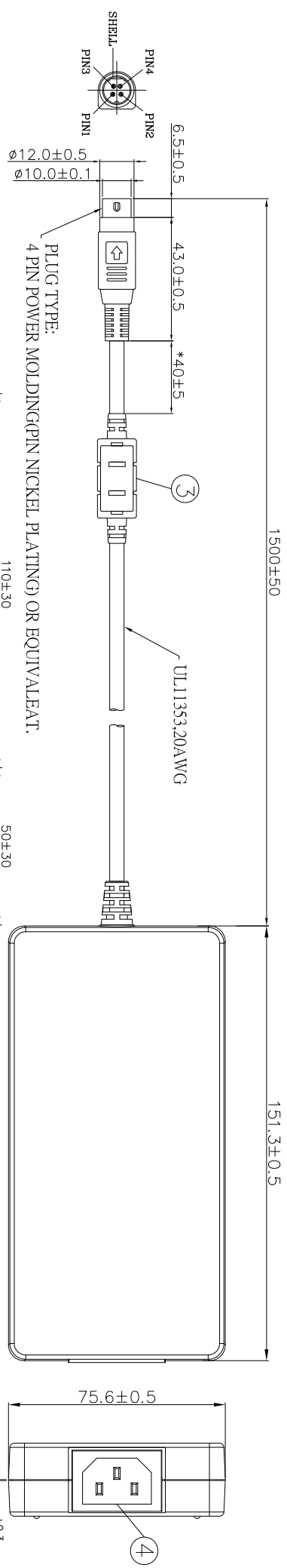


# 外觀圖

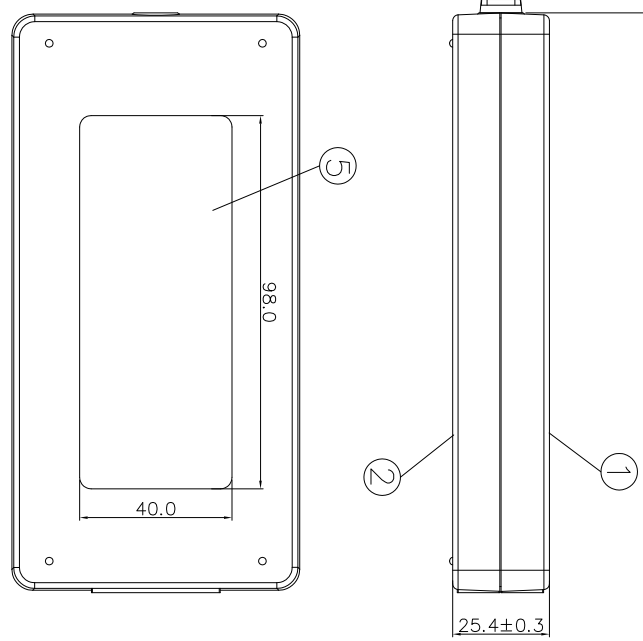




DIN PLUG	POLARITY	COLOR	
P1	Vo(+)	WHITE	芯線
P2			
SHIELD	GND(-)	BLACK	纏繞線
P3			
P4			

ITEM	PART NAME	COLOR
1	COVER	BLACK
2	CHASSIS	BLACK
3	POWER CORD	BLACK
4	SOCKET	BLACK
5	LABEL	BLACK

CABLE TIE STEEL WIRE  
PE PLATED.



P/N.: 9NA1206900

THIRD ANGLE PROJECTION		DIMENSIONAL TOLERANCES		HOLES : ±0.05 ANGLES : ±0.5°	
( )	±0.2	( )	UP-100 ±0.2	200-300 ±0.4	600-900 ±1.5
<30	±0.3	DECHASSIS	100-150 ±0.25	300-500 ±0.5	900-900 ±2.4
>30-100	±0.4	X X	200-400 ±0.5	500-700 ±3.1	
>100-300	±0.5	X X	200-500 ±0.5		
>300-500	±0.6	X X			
ABOVE 500	±0.8	X X			

MODEL NO. :	FSP120-AWAN3	TITLE:	Physical Dimension	SHEET: 1 OF 1	REV:01
R&D3 Division	PE	ABBY	ME	ABBY	2017/11/28
L.J					
INTERIOR COUNTERSIGN:					

Mechanical Drawing (外觀/機構圖)