

### AC-DC SWITCHING ADAPTER SPECIFICATION

MODEL .	NK120P100PGS/G+	ISSUE DATE	2012-10-26
CUSTOMER		REF. NO.	

#### INPUT

INPUT VOLTAGE	100 to 240 Vac
INPUT FREQUENCY	50 to 60 Hz
NO LOAD POWER CONSUMPTION	< 0.3 W
INPUT FULL LOAD CURRENT(at 120 Vac)	0.25 A
INPUT POWER	17 W Max

#### OUTPUT

LIGHT LOAD OUTPUT VOLTAGE	12.0V dc $\pm$ 10%
FULL LOAD OUTPUT VOLTAGE	12.0V dc $\pm$ 10%
MIN LOAD OUTPUT CURRENT	0 mA
MAX LOAD OUTPUT CURRENT	1000 mA
NOISE TEST BANDWIDTH	20MHz Each output bypassed by a 10uF electrolytic capacitor parallel with a 0.1uF ceramic capacitor to GND
LINE REGULATION	0.5 % Input 90 to 264 Vac output loaded at full load
SETUP,RISE,HOLD UPTIME	200ms,30ms,17ms/115Vac; 200ms,20ms,80ms/230Vac

#### OVERALL PERFORMANCE

TOTAL OUTPUT POWER	12 W Max
EFFICIENCY	COMPLIED with CEC-400-2006-002-REV1 Efficiency level "IV" Table U2 Requirement.

#### PROTECTION

<input checked="" type="checkbox"/> OVER CURRENT PROTECTION	<input checked="" type="checkbox"/> SHORT CIRCUIT PROTECTION
<input checked="" type="checkbox"/> OVER VOLTAGE PROTECTION	<input checked="" type="checkbox"/> L.P.S (Limits for power source)
<input checked="" type="checkbox"/> OVER POWER PROTECTION	<input type="checkbox"/> OTHER

#### HI-POT

INPUT TO OUTPUT	3000 Vac 5 mA 50/60 Hz
INPUT TO CASE	3000 Vac 5 mA 50/60 Hz
OUTPUT TO CASE	1500 Vac 5 mA 50/60 Hz
ISOLATION RESISTANCE	100 M Ohms I/P-O/P I/P/Enclosure
APPLIANCE	CLASS I <input type="checkbox"/> II <input checked="" type="checkbox"/> III <input type="checkbox"/>

#### ENVIRONMENTAL

OPERATING TEMPERATURE	0 °C to 25 °C
STORGE TEMPERATURE	-20 °C to 50 °C
OPERATING HUMIDITY	20%-85% RH. NON-CONDENSING
STORGE HUMIDITY	10%-90% RH. NON-CONDENSING

#### SAFFTY STANDARDS

SAFETY STANDARDS	GS
EMC STANDARDS	CE

#### RELIABILITY

MTBF	50000 Hours min
BURN-IN	8 Hours 25°C, full load, 220Vac, 50Hz

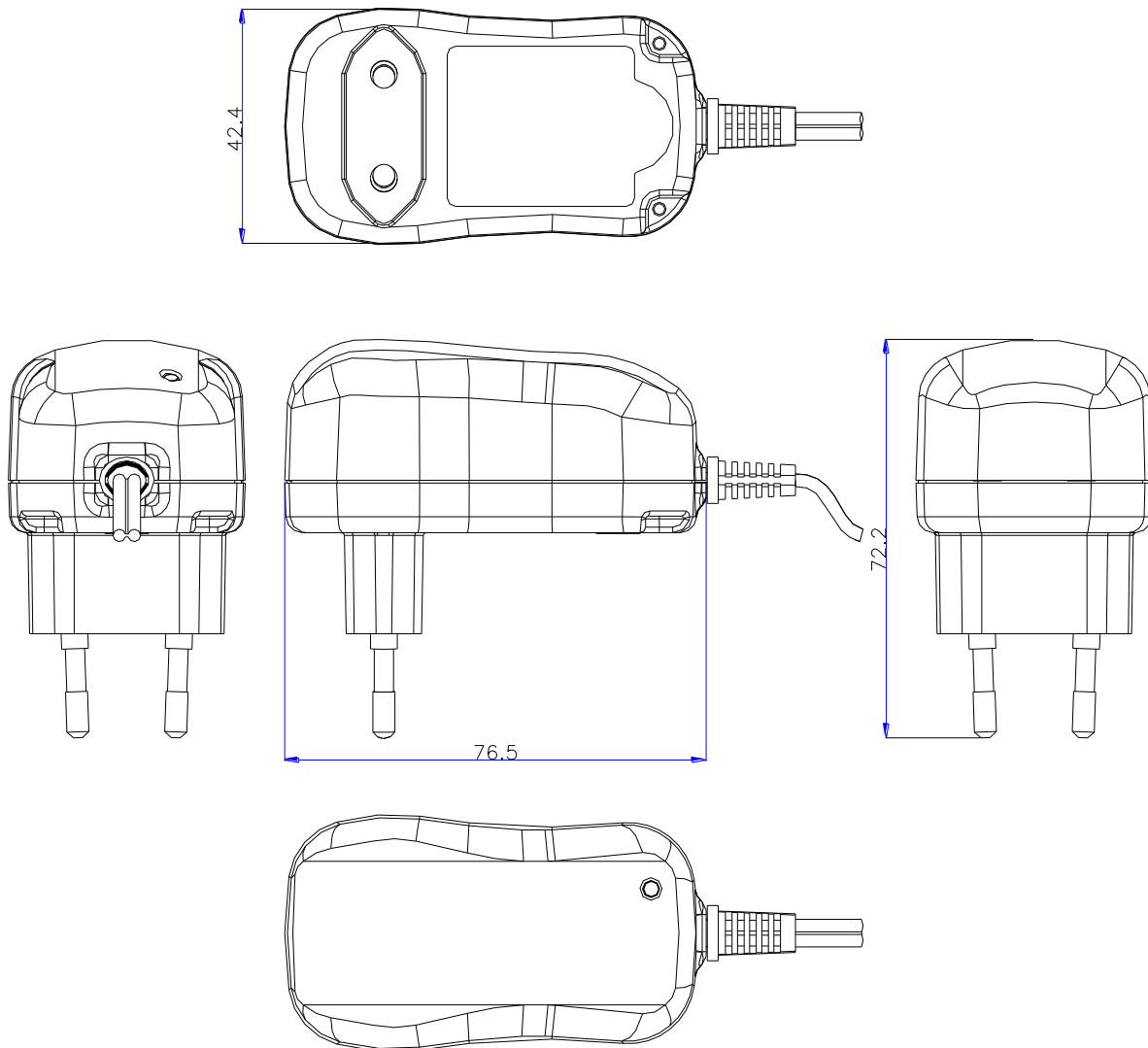
**AC-DC SWITCHING ADAPTER SPECIFICATION**

MODEL NO.	NK120P100PGS/G+	ISSUE DATE	2012-10-26
CUSTOMER		REF. NO.	

**MECHANICAL SPECIFICATION**

DIMENSION	76.5 mm(L)* 42.4mm(W)* 72.2 mm(H)
WEIGHT	110 g MAX exclude packing
INPUT CORD	
INPUT PLUG	EU
OUTPUT CORD	
OUTPUT PLUG	2.5X5.5X11MM
OUTPUT CONNECTOR	

**APPEARANCE & DIMENSIONS**



APPROVE:

AUDITING:

CONNER: