

AC-Inrush Current Limiter Slim Series





Special Features

- DIN-Rail AC-Inrush Current Limiter for Inductive and capacitive loads
- Screw terminals: 16-12 AWG(1.3-3.3mm)
- Integrated by pass relays, no simple NTC-Solution
- Limiting peak current: 45 A for 100-500 ms
- Protect against unintended release of fuse
- Allows smaller and faster Circuit Breaker
- Reduction of Cabling sections possible

Key Applications

- Switching mode power supply (SPS)
- Power factor correction(PFC)
- AC power side
- Inrush current protection
- Large rectifier current
- Diode bridge protection
- Initial equivalent series resistance (ESR)

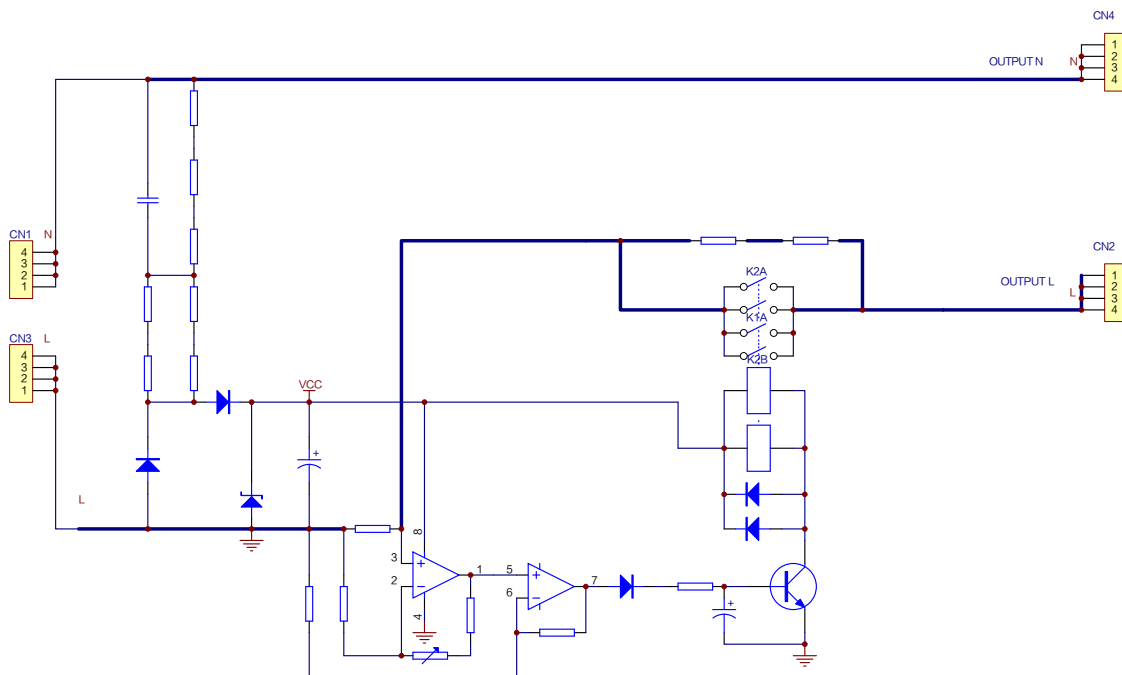
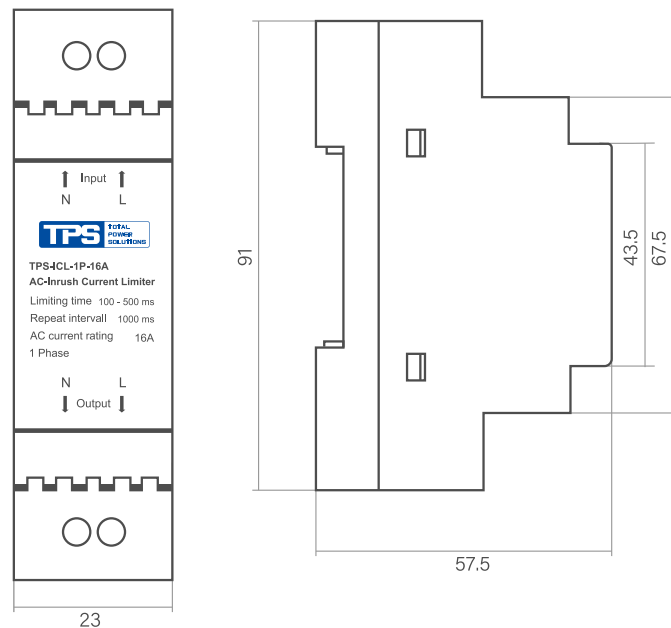
Ordering Information

Article No.	Model Name	AC Rated Current(A)	Input Voltge(V)	IP Class
901000899	TPS-ICL-1P-12A	12	230VAC	20
901000898	TPS-ICL-1P-16A	16	230VAC	20

Specification

Input	207-253VAC, 47-63Hz
LimitingTime/Peak	45A for 100-500ms
Repeat Interval@230Vac	1000ms
Connecting Wire Size	16-12AWG(1.3-3.3mm)
Operation Environment	40°C-70°C
Cooling	Convection
Safety	EN62368-1,EN IEC 61000-3-2
MTBF	300.000/h
Storage Temperature	-40°C-85°C
Case Material	PC-110(+) UL94V-0
Humidity	10-95%RH(no condensing)
Alitude	2000M
Dimensions	91x23x57.5mm(L×W×H)
Weight	175g

- Handling
- ATTENTION: Before Installation, please switch off the External AC Isolator (Fuse)! Only work with an Isolated Screw Driver!
- All IP20 products: Mounting at DIN RAIL TS 35/7.5 or TS 35/15 vertical



This electronic device must not be disposed of in the household waste at the end of its service life. For your return, there are free collection points for electrical appliances and, if necessary, additional points of acceptance for the reuse of the devices in your area. The addresses can be obtained from your city or communal administration. If the old electrical or electronic device contains personal data, you are responsible for deleting it before you return it. Further information: www.elektrogesetz.de