

Lyra Lite

30/40 kW-DC

*Fast charging
made easy.
30/40 kW directly
to the battery.*



01

30/40 kW straight to the battery

Intro

Compact yet powerful, this DC EV charger with dimensions of 520 x 272 x 919 (h) mm and a weight of 80 kg is suitable for a wide variety of spaces. With power options of 30kW or 40kW (can also be limited to 20 kW via software), the Lyra Lite is a versatile solution for fast charging installations. Specifically designed for environments where users need to charge for periods of 30 to 90 minutes, this charger provides an efficient and reliable solution to meet today's electric mobility demands.

30/40 kW - DC



Perfect fit for:

Private and public parkings

Sales fleet operators

Service sector: hotels, restaurants, shopping centers, gyms

Workshops and electric vehicle dealers



High Power



Wall mounted or stand alone



User Authentication



12,1" LCD Display



OCPP Compliant



Autocharge



IP54



All-in-one Solution



General Specifications

POWER SPECIFICATIONS

Input voltage	3Φ 380~415 Vac (±15%)
AC Input connection	3P+N+PE, TN/TT/IT
Maximum input current	60A (30kW) / 75A (40kW)
Frequency	50 Hz/60 Hz
Power factor	>0.99
Efficiency	>97%, at optimal point V/I
DC Output voltage range	CCS2: 155~950 Vdc / 100A (30kW) - 133A (40kW) max.
Maximum output power	30kW - 40 kW
Voltage accuracy	±2%
Current accuracy	±2%

USER & CONTROL INTERFACE

Display	Touch panel 12.1"
Interface protocol	OCPP 1.6J (coming soon OCPP 2.0.1) JSON over WebSocket Secure connection to OCPP server using TLS and user authentication
Optional	RFID > supports ISO 14443A/B, ISO 15693 FeliCa Lite-S (RCS966) VISA Payment Autocharge: Automatic authentication and charging start using the vehicle's unique identifier

COMMUNICATIONS

External	Ethernet & 3G/4G (Wi-Fi optional)
Internal	CAN bus/RS485

ENVIRONMENT

Operating temperature	-30°C ~ 50°C (optional extended temperature range)
Maximum relative humidity	5%~95% RH, non-condensed
Altitude	≤ 2000 m
IP/IK Level	IP54/IK10
Cooling	Forced air

MECHANICS

Size	520 x 272 x 919 mm
Weight	≤ 80-100 kg
Hose length	3 m (other lengths optionally available)

PACKAGING

Gross weight	≤ 160-180 kg
Wooden box size	858 x 658 x 1909 mm
Storage temperature	-40°C ~ 60°C

PROTECTIONS

Input protections	OVP, OCP, OPP, OTP, UVP, RCD, SPD
Output protections	OCP, SCP, OVP, LVP, OTP, IMD

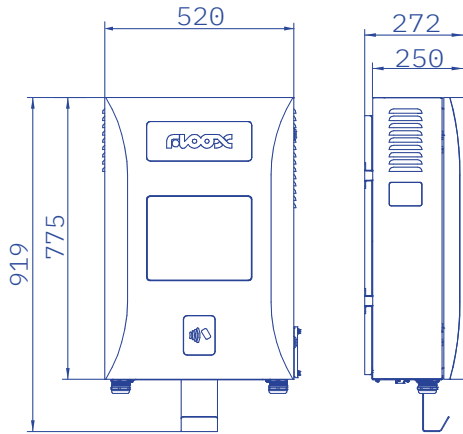
STANDARDS & CERTIFICATIONS

Certifications	IEC 61851-1, IEC 61851-23, IEC 61851-21-2 (Eichrecht optional)
Security	CB, CE
Charging interface	CCS2, DIN 70121, ISO15118

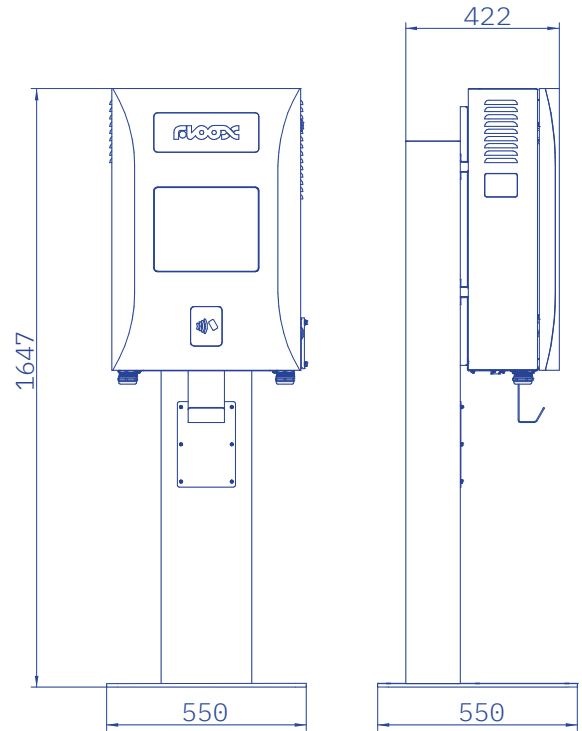
03

Dimensions

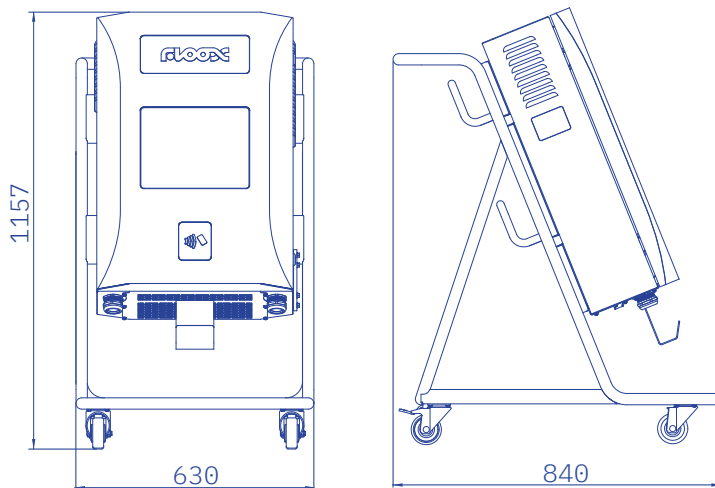
Lyra Lite wallmounted



Lyra Lite with stand



Lyra Lite with trolley



04

Product references

Reference	Product
LYRA0300000000000000	LYRA LITE 30kW - 1x CCS2 (Standard)
LYRA0400000000000000	LYRA LITE 40kW - 1x CCS2 (Standard)
7000019101	Stand Alone (Optional)
7000018502	Trolley (Optional)