

Adjustable Isolation Transformer

TPS-AIT1500300D





Special Features

- Isolation design
- Adjustable output voltage: 0-300 VAC
- Analog voltage and current meters
- Overcurrent protection breaker
- Front output interface

Key Applications

- Workshops
- Laboratories
- Educational institutions
- Electronic repair

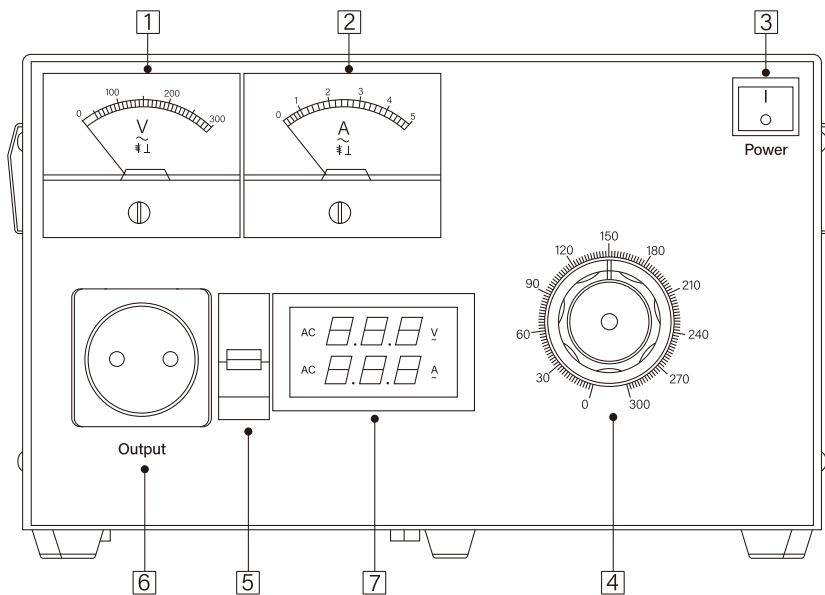
Technical Data

Input	
Input Voltage	230 VAC
Input Frequency(Hz)	48 ~ 62Hz
Input Current	6A
Output	
Output Voltage	0~300 VAC
Output Current	4.5A
Over Current Protection	5 A
Power	1500W
Environmental	
Storage Temperature	-25°C~50°C
Operation Temperature	-10°C~40°C
Operating Humidity	0~80%RH(non condensing)
Altitude	<2000m
Cooling	Convection
Protection&Hi-Voltage Test	
Protection Rating	IP20
Primary – Shell	1000 VAC
Primary–Secondary	1000 VAC
Secondary – Housing	500 VAC
Packing Info	
Weight	21 kg
Size (LxBxH mm)	301x276x183

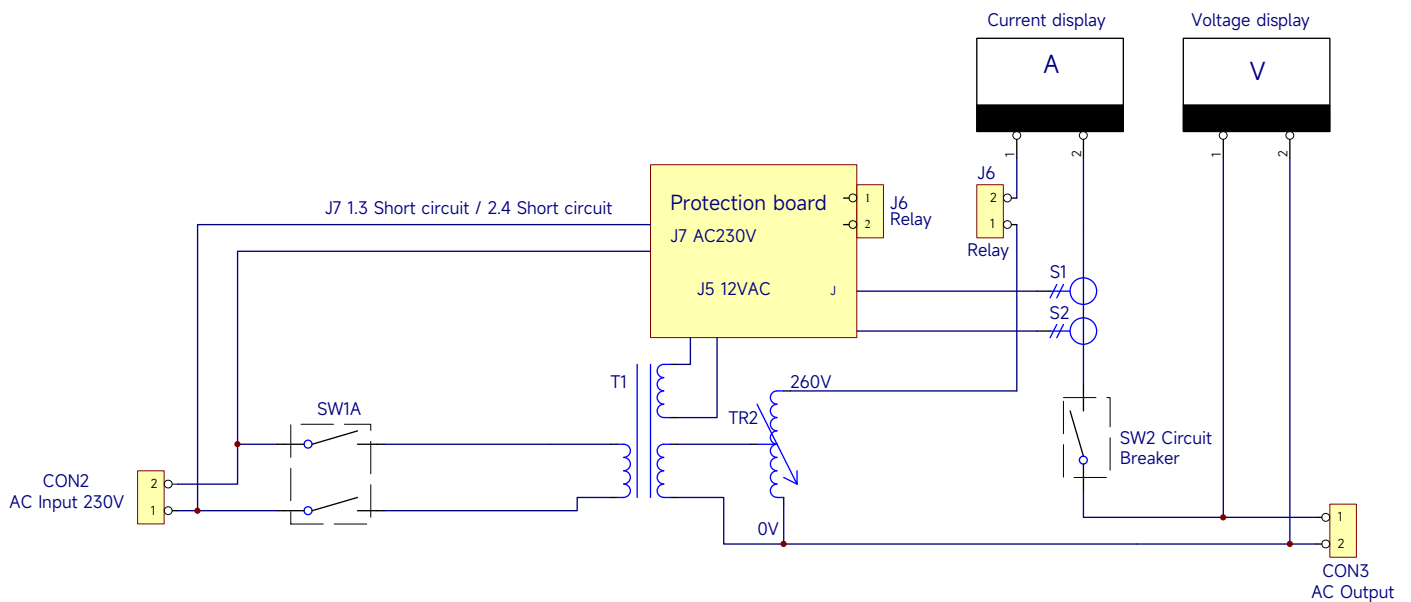
Safety

CE compliance with EN/IEC 61558-1:2019
EN61558-2-6:2009
EN61010-1:2010+A1:201

Product Preview




- ① Voltmeter(output voltage)
- ② Amperemeter(output current)
- ③ Mains switch
- ④ VOLTAGE ADJUST
- ⑤ Air circuit-breaker
- ⑥ Electrical outlet receptacle
- ⑦ Digital display



Accessories and Packing

- 1 x Power Supply
- 1 x Manual
- 1 x Desiccant

 This electronic device must not be disposed of in the household waste at the end of its service life. For your return, there are free collection points for electrical appliances and, if necessary, additional points of acceptance for the reuse of the devices in your area. The addresses can be obtained from your city or communal administration. If the old electrical or electronic device contains personal data, you are responsible for deleting it before you return it. Further information: www.elektrogesetz.de

