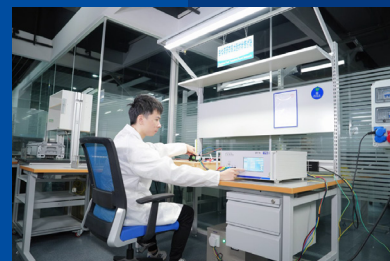
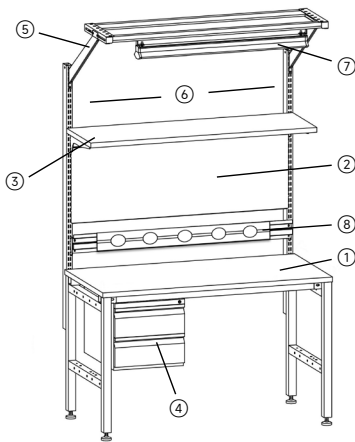


ESD Workstation



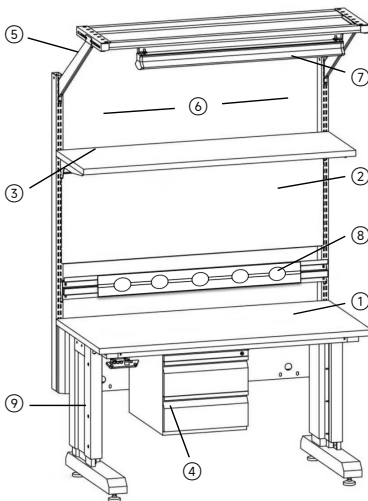
ESD Standard	Test	Relative Humidity	Electrical Results
IEC 61340-5-1:2016 $1 \times 10^9 \Omega$	Point to Point Resistance	60%-40%	$1 \times 10^5 - 1 \times 10^9 \Omega$
		40%-20%	$1 \times 10^5 - 1 \times 10^9 \Omega$
		20%-10%	$1 \times 10^9 - 1 \times 10^9 \Omega$
	Point to Earth Resistance	60%-40%	$1 \times 10^5 - 1 \times 10^9 \Omega$
		40%-20%	$1 \times 10^9 - 1 \times 10^9 \Omega$
		20%-10%	$1 \times 10^9 - 1 \times 10^9 \Omega$
	Volume Resistance	60%-40%	$1 \times 10^9 - 1 \times 10^9 \Omega$
		40%-20%	$1 \times 10^9 - 1 \times 10^9 \Omega$

1 Fixed



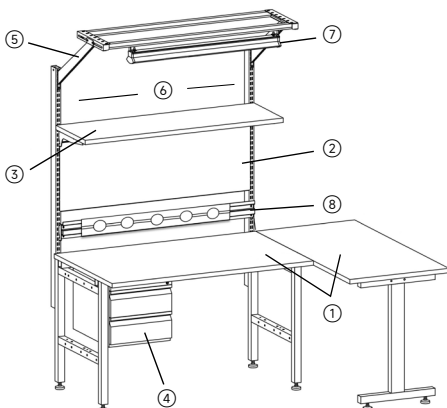
No.	Item	Size	Remark
1	ESD(HPL) Laminated Top	Thickness:25 mm	RAL7035
2	Back Panel	Height:390mm	ESD Paint RAL 7035
3	Antistatic Steel Shelf	Depth:649mm	ESD Paint RAL 7035
4	Suspension Drawer - double	WxDxH: 370x486x346mm	35kg Loading
5	Slant Light Bracket	DxH: 604x382mm	30kg Loading
6	Upright Accessory Frame	Includes Columns *2	
7	LED Light	40W; C110-270V; 50/60Hz; White 5000K	
8	Power Rail	Power Strip(5-socket German Type)	

2 Lifting



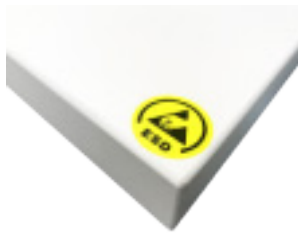
No.	Item	Size	Remark
1	ESD(HPL) Laminated Top	Thickness:25 mm	RAL7035
2	Back Panel	Height:390mm	ESD Paint RAL 7035
3	Antistatic Steel Shelf	Depth:649mm	ESD Paint RAL 7035
4	Suspension Drawer - double	WxDxH: 370x486x346mm	35kg Loading
5	Slant Light Bracket	DxH: 604x382mm	30kg Loading
6	Upright Accessory Frame	Includes Columns *2	
7	LED Light	40W; C110-270V; 50/60Hz; White 5000K	
8	Power Rail	Power Strip(5-socket German Type)	
9	Electric Frame	Including Front Beam &Rear Baffle	

3 L-shaped



No.	Item	Size	Remark
1	ESD(HPL) Laminated Top	Thickness:25 mm	RAL7035
2	Back Panel	Height:390mm	ESD Paint RAL 7035
3	Antistatic Steel Shelf	Depth:649mm	ESD Paint RAL 7035
4	Suspension Drawer - double	WxDxH: 370x486x346mm	35kg Loading
5	Slant Light Bracket	DxH: 604x382mm	30kg Loading
6	Upright Accessory Frame	Includes Columns *2	
7	LED Light	40W; C110-270V; 50/60Hz; White 5000K	
8	Power Rail	Power Strip(5-socket German Type)	

Accessories



① ESD(HPL)Laminated Top



② Back Panel



③ Antistatic Steel Shelf



④ Drawer



⑤ Slant Light Bracket



⑥ Upright Accessory Frame



⑦ LED Light



⑧ Power Rail



⑨ Electric Frame

Options



ESD Chair1



ESD Chair2

Order Information							
Article No.	Manufacturer Code	Model Name	Length	Depth	Height	Uniform Static Load	Uniform Dynamic Load
ESD1081	WESD01001	Fixed-1260	1220mm	600mm	760mm	500kg	/
ESD1082	WESD01002	Fixed-1575	1550mm	750mm			
ESD1083	WESD01003	Fixed-1890	1850mm	900mm			
ESD1084	WESD01004	Lifting-1260	1200mm	600mm	720-1060mm	200kg	130kg
ESD1085	WESD01005	Lifting-1575	1530mm	750mm			120kg
ESD1086	WESD01006	Lifting-1890	1830mm	900mm			100kg
ESD1087	WESD01007	L-shaped-12060	1220mm	600mm	760mm	500kg	/
ESD1088	WESD01008	L-shaped-15375	1550mm	750mm			
ESD1089	WESD01009	L-shaped-18390	1850mm	900mm			

Options							
Article No.	Manufacturer Code	Model Name	Length	Depth	Height	Uniform Static Load	Uniform Dynamic Load
ESD1094	WESD01010	ESD Chair1	Seat 390×410mm	Back 280×380mm	450-590mm	120kg	/
ESD1095	WESD01011	ESD Chair2	Seat 400×470mm	Back 305×410mm	540-750mm	120kg	/



TPS Company Video on Youtube
<https://youtu.be/DTcA-IU2NWA>